

POLE  
 MATERIAL : MILD STEEL.  
 FINISHING : ZINC RICH PRIMER AND POWDER COATING  
 (SEMI GLOSSY/MATT/TEXTURED)  
 COLOUR - AS PER REQUIREMENT

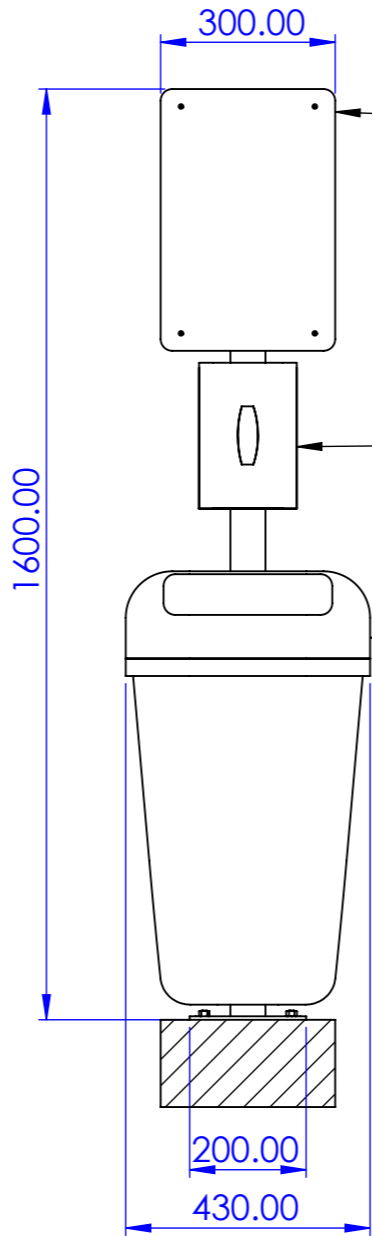
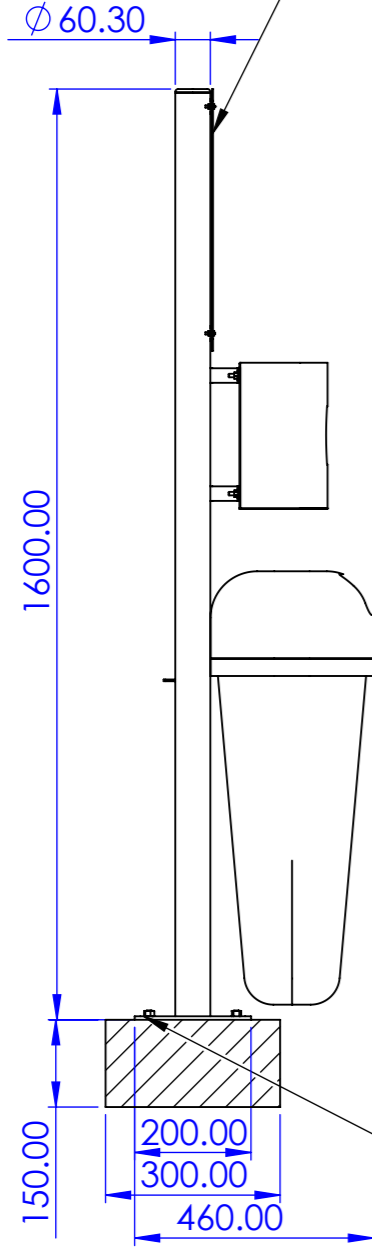
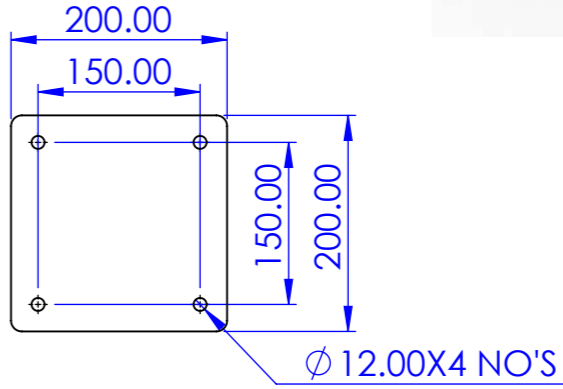
SIGNAGE PLATE  
 MATERIAL : GI  
 FINISHING : ZINC RICH PRIMER AND POWDER COATING  
 (SEMI GLOSSY/MATT/TEXTURED)  
 COLOUR - AS PER REQUIREMENT

DISPENSER  
 MATERIAL : GI  
 FINISHING : ZINC RICH PRIMER AND POWDER COATING  
 (SEMI GLOSSY/MATT/TEXTURED)  
 COLOUR - AS PER REQUIREMENT

STANDARD BIN  
 MATERIAL : HDPE  
 CAPACITY : 50 Ltr

ANCHOR BOLT - 4NOS  
 MATERIAL: SS 316  
 (M10 X 100 LENGTH)

BASE PLATE



MODEL : DOG PARK WASTE BIN (L-430 X W-460 X H-1600mm)  
 MATERIAL : MILD STEEL, GALVANIZED STEEL AND HDPE  
 FINISHING : ZINC RICH PRIMER AND POWDER COATING  
 (SEMI GLOSSY/MATT/TEXTURED)  
 COLOUR - AS PER REQUIREMENT  
 CAPACITY : 50 Ltr  
 INSTALLATION : SURFACE FIXING

NOTE: Please note that by using this drawing in any format, you are accepting that Bluestream owns the copyright. You are licensed to use this drawing for any product on which Bluestream are tendering, and you should not knowingly allow others to copy this drawing. Obtain appropriate licenses from Bluestream if you intend to use the intellectual property rights of Bluestream in performing your obligations under any contract. Bluestream reserves the right to amend specifications without notice for product improvement.

UNLESS OTHERWISE SPECIFIED: DIMENSIONS ARE IN MILLIMETERS SURFACE FINISH: TOLERANCES: ±.5mm LINEAR: ANGULAR:			THIRD ANGLE PROJECTION		DEBURR AND BREAK SHARP EDGES		DO NOT SCALE DRAWING		REVISION: 01		
						Project Description:					
						Main Contractor:					
						TITLE:					
						DWG NO.					
						A3					
						Reference SO NO.: NA					
						SCALE: 1:20					
						SHEET 1 OF 1					

F  
E  
D  
C  
B  
A

F  
E  
D  
C  
B  
A

8 7 6 5 4 3 2 1

8 7 6 5 4 3 2 1