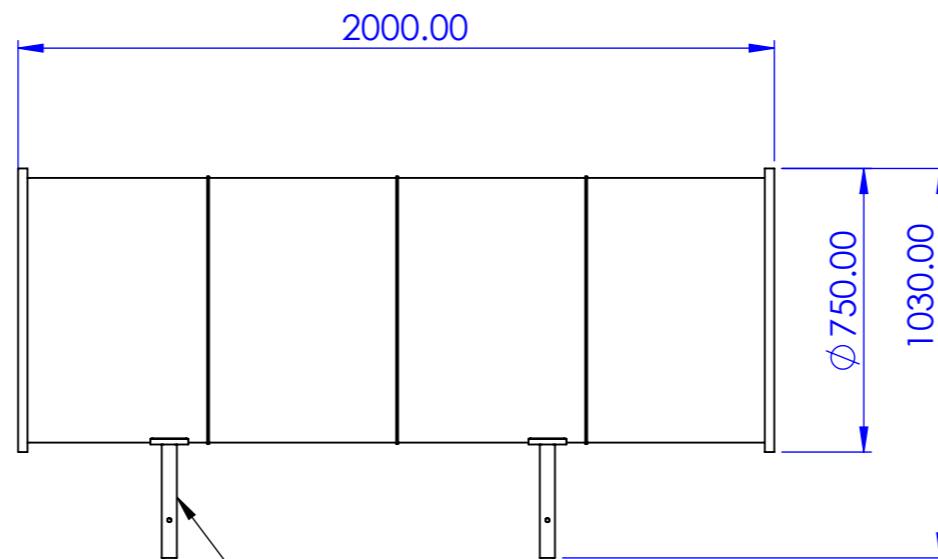
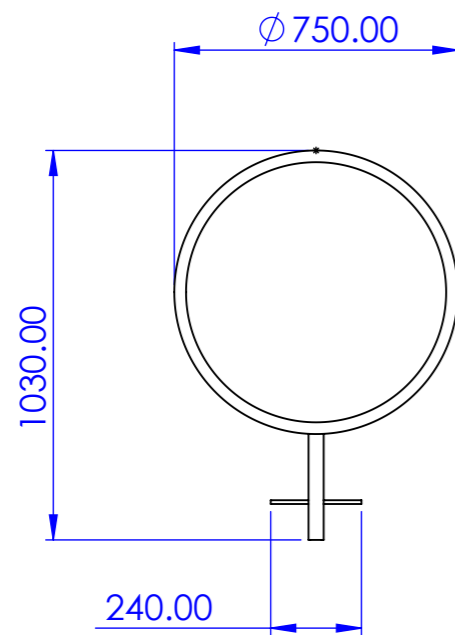
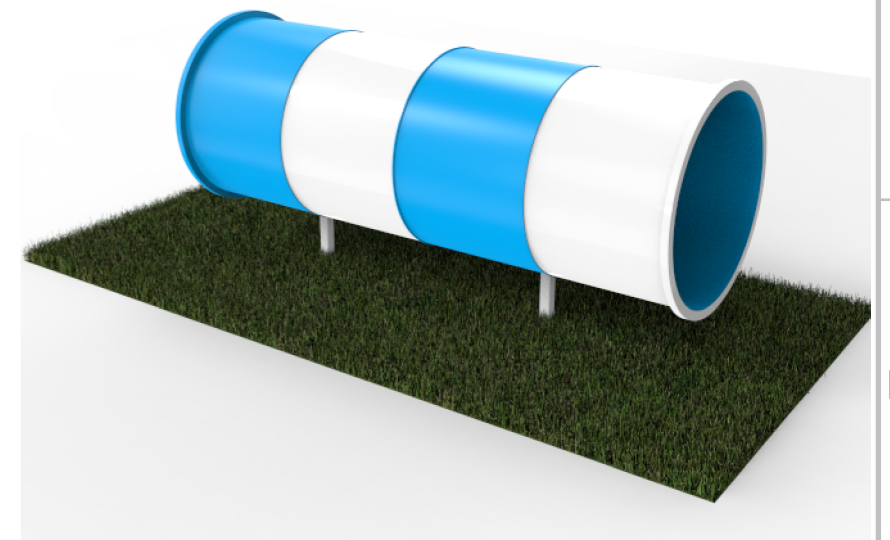
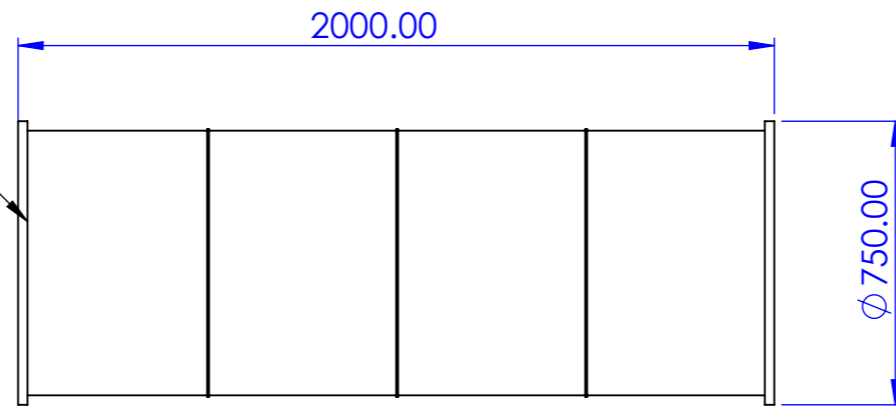


GROWL
 MATERIAL: GRP
 FINISHING: GEL COAT GLOSSY FINISH



FRAME
 MATERIAL: MILD STEEL
 FINISHING: ZINC RICH PRIMER AND POWDER COATING
 (SEMI GLOSSY/MATT/TEXTURED)
 COLOUR - AS PER REQUIREMENT

MODEL : DOGGIE CRAWL (L-2000 X W-750 X H-1030mm)
 MATERIAL : MILD STEEL AND GRP
 FINISHING : ZINC RICH PRIMER AND POWDER COATING
 (SEMI GLOSSY/MATT/TEXTURED)
 COLOUR - AS PER REQUIREMENT
 INSTALLATION: CAST IN SITU

NOTE: Please note that by using this drawing in any format, you are accepting that Bluestream owns the copyright. You are licensed to use this drawing for any product on which Bluestream are tendering, and you should not knowingly allow others to copy this drawing. Obtain appropriate licenses from Bluestream if you intend to use the intellectual property rights of Bluestream in performing your obligations under any contract. Bluestream reserves the right to amend specifications without notice for product improvement.

UNLESS OTHERWISE SPECIFIED: DIMENSIONS ARE IN MILLIMETERS SURFACE FINISH: TOLERANCES: +-5mm LINEAR: ANGULAR:				THIRD ANGLE PROJECTION		DEBURR AND BREAK SHARP EDGES		DO NOT SCALE DRAWING		REVISION: 01	
				CLIENT:				Main Contractor:			
DRAWN				CONSULTANT:				TITLE:			
CHK'D								DWG NO.			
APPV'D								Reference SO NO.: NA			
APPV'D								SCALE: 1:20			
APPV'D								SHEET 1 OF 1			
MFG								A3			
Q.A											