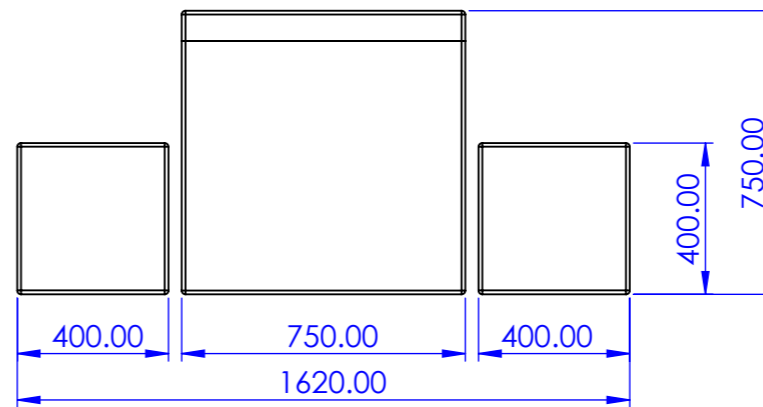
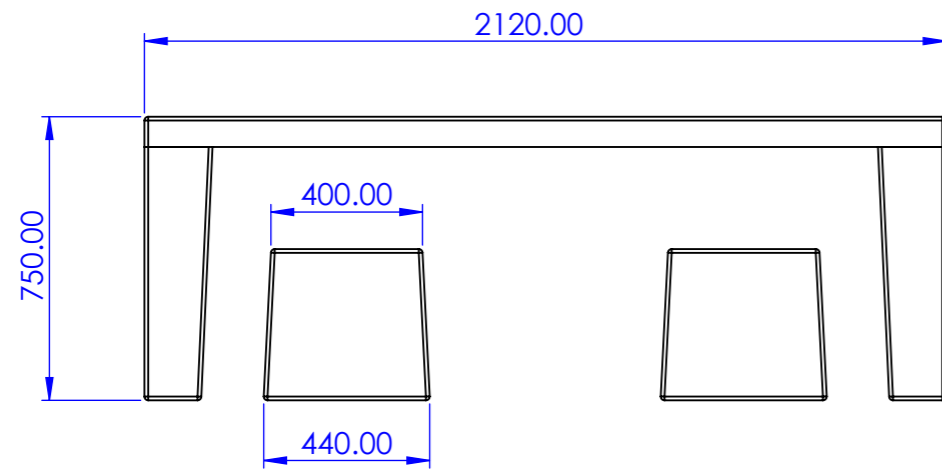


TABLE  
 MATERIAL: GREY GRANITE  
 FINISH : HYDROPHOBIC NANO COATING

BENCH  
 MATERIAL: GREY GRANITE  
 FINISH : HYDROPHOBIC NANO COATING



MODEL : ORIS CUBE PICNIC BENCH (L 2120 X W 1620 X H 750mm)  
 MATERIAL : GREY GRANITE  
 FINISH : HYDROPHOBIC NANO COATING  
 INSTALLATION : FREE STANDING

NOTE: Please note that by using this drawing in any format, you are accepting that Bluestream owns the copyright. You are licensed to use this drawing for any product on which Bluestream are tendering, and you should not knowingly allow others to copy this drawing. Obtain appropriate licenses from Bluestream if you intend to use the intellectual property rights of Bluestream in performing your obligations under any contract. Bluestream reserves the right to amend specifications without notice for product improvement.

UNLESS OTHERWISE SPECIFIED: DIMENSIONS ARE IN MILLIMETERS SURFACE FINISH: TOLERANCES: +5mm LINEAR: ANGULAR:			THIRD ANGLE PROJECTION		DEBURR AND BREAK SHARP EDGES		DO NOT SCALE DRAWING		REVISION: 0		
DRAWN			NAME		SIGNATURE		DATE		TITLE: ORIS CUBE PICNIC BENCH		
CHK'D											
APPV'D											
APPV'D											
APPV'D											
APPV'D											
MFG											
Q.A											
Reference SO NO.: NA							SCALE: 1:20		SHEET 1 OF 1		



A3