

8 7 6 5 4 3 2 1

F F

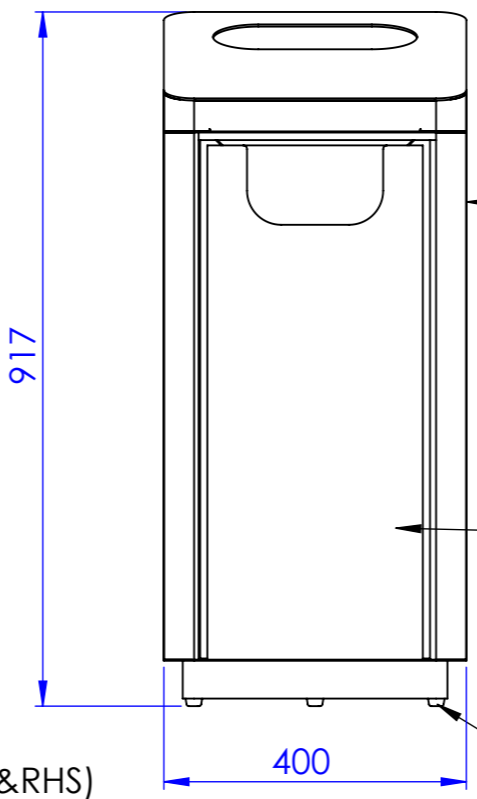
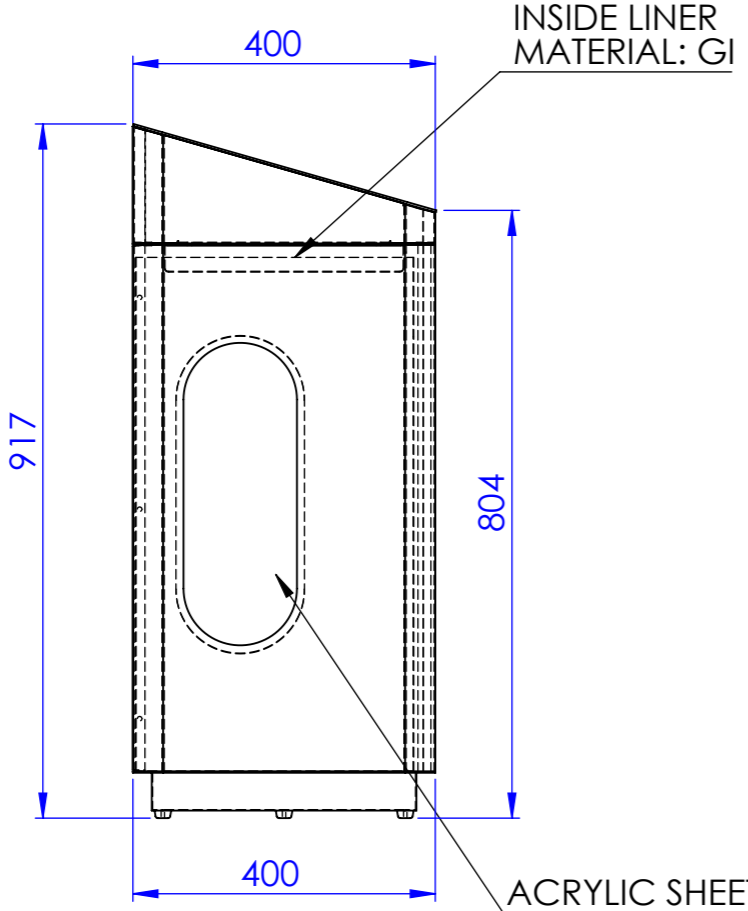
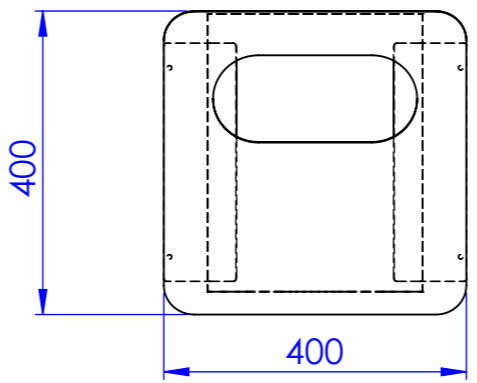
E E

D D

C C

B B

A A



BODY  
 MATERIAL : MILD STEEL  
 FINISHING : ZINC RICH PRIMER AND POWDER COATING  
 (SEMI GLOSSY/MATT/TEXTURED)  
 COLOUR - AS PER REQUIREMENT

FRONT DOOR WITH LOCK  
 MATERIAL : MILD STEEL  
 FINISHING : ZINC RICH PRIMER AND POWDER COATING  
 (SEMI GLOSSY/MATT/TEXTURED)  
 COLOUR - AS PER REQUIREMENT

MODEL : NEMO E - WASTE BIN (L400 X W-400 X H-917mm)  
 MATERIAL : MILD STEEL AND ACRYLIC  
 FINISHING : ZINC RICH PRIMER AND POWDER COATING  
 (SEMI GLOSSY/MATT/TEXTURED)  
 COLOUR - AS PER REQUIREMENT  
 LINER : GI LINER  
 CAPACITY : 65 Ltr  
 INSTALLATION : FREE STANDING/SURFACE FIXING

NOTE: Please note that by using this drawing in any format, you are accepting that Bluestream owns the copyright. You are licensed to use this drawing for any product on which Bluestream are tendering, and you should not knowingly allow others to copy this drawing. Obtain appropriate licenses from Bluestream if you intend to use the intellectual property rights of Bluestream in performing your obligations under any contract. Bluestream reserves the right to amend specifications without notice for product improvement.

UNLESS OTHERWISE SPECIFIED: DIMENSIONS ARE IN MILLIMETERS SURFACE FINISH: TOLERANCES: +-5mm LINEAR: ANGULAR:			THIRD ANGLE PROJECTION		DEBURR AND BREAK SHARP EDGES	DO NOT SCALE DRAWING	REVISION: 0/0
DRAWN			CLIENT:		Project Description:		
CHKD			CONSULTANT:		Main Contractor:		
APPVD			DWG NO.		TITLE:		
APPVD			Reference SO NO.:NA		SCALE:1:10		
APPVD			SHEET 1 OF 1		A3		
MFG							
Q.A							

8 7 6 5 4 3 2 1