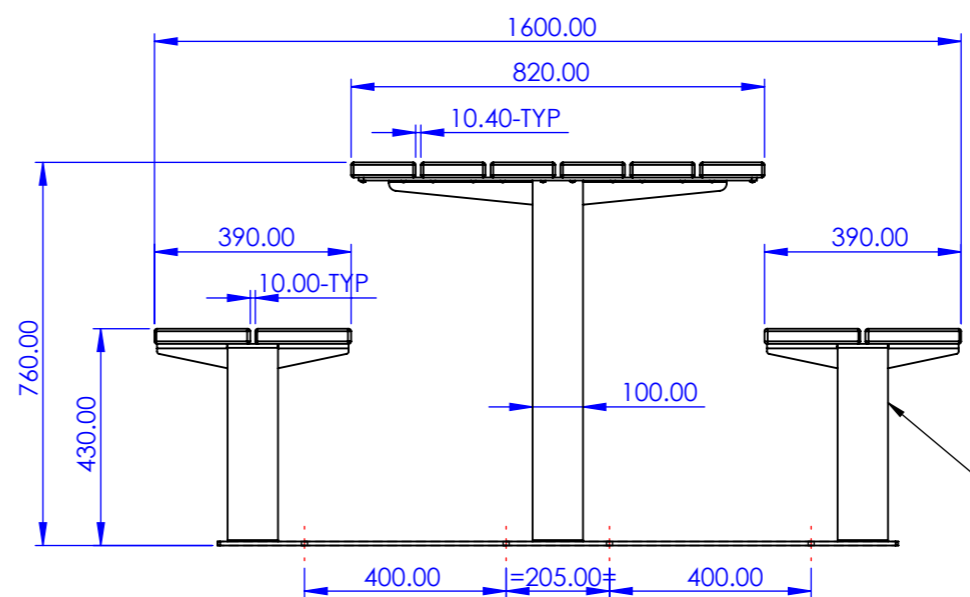
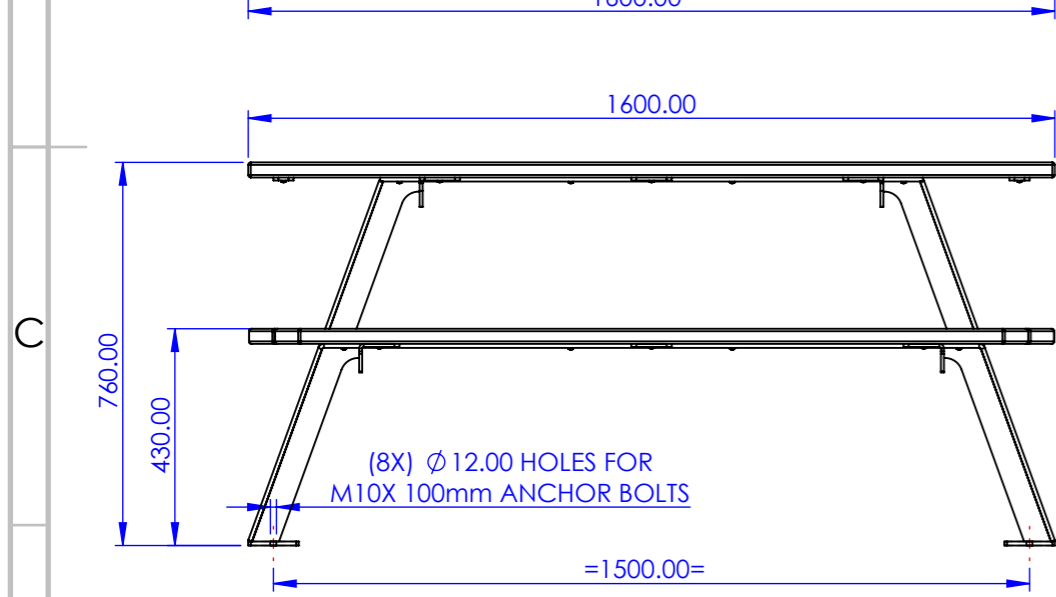


WOOD
MATERIAL: IROKO
FINISH : STAIN DARK WALNUT 4052



FRAMES
MATERIAL: MILD STEEL
FINISH : ZINC RICH PRIMER & POWDER COATING
(SEMIGLOSSY/ MATT/ TEXTURED)

MODEL : LAKSHA PICNIC BENCH(L 1600 X W 1600 X H 760mm)
MATERIAL : MILD STEEL & IROKO WOOD
FINISH : WOOD- STAIN DARK WALNUT 4052
FRAME- ZINC RICH PRIMER & POWDER COATING
(SEMIGLOSSY/ MATT/ TEXTURED)
COLOR- AS PER REQUIREMENT
INSTALLATION: FREE STANDING/ SURFACE FIXING

NOTE:Please note that by using this drawing in any format,you are accepting that Bluestream owns the copyright.You are licensed to use this drawing for any product on which Bluestream are tendering, and you should not knowingly allow others to copy this drawing.Obtain appropriate licenses from Bluestream if you intend to use the intellectual property rights of Bluestream in performing your obligations under any contract.Bluestream reserves the right to amend specifications without notice for product improvement.

UNLESS OTHERWISE SPECIFIED: DIMENSIONS ARE IN MILLIMETERS SURFACE FINISH: TOLERANCES:±5mm LINEAR: ANGULAR:			THIRD ANGLE PROJECTION	DEBURR AND BREAK SHARP EDGES	DO NOT SCALE DRAWING	REVISION: 0
NAME	SIGNATURE	DATE	TITLE: LAKSHA PICNIC BENCH			
DRAWN			A3			
CHKD			Reference SO NO.:NA			
APPVD			SCALE:1:20			
APPVD			SHEET 1 OF 1			
APPVD						
APPVD						
MFG						
Q.A						

