

# PRODUCT DETAILS

SULO® 1100L Flat Lid

25 YEAR PARTNERSHIP WITH SULO



- 1 Flat Lid
- 2 Handle / handle recess
- 3 Handles with handle bar, rear 2x
- 4 Marking areas

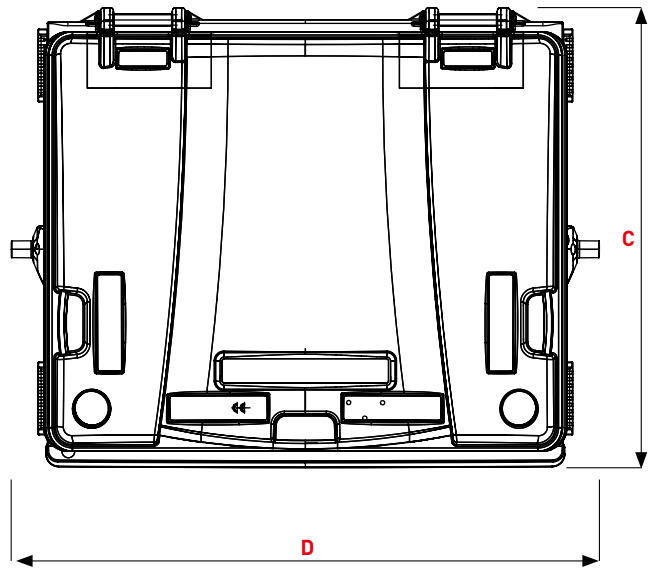
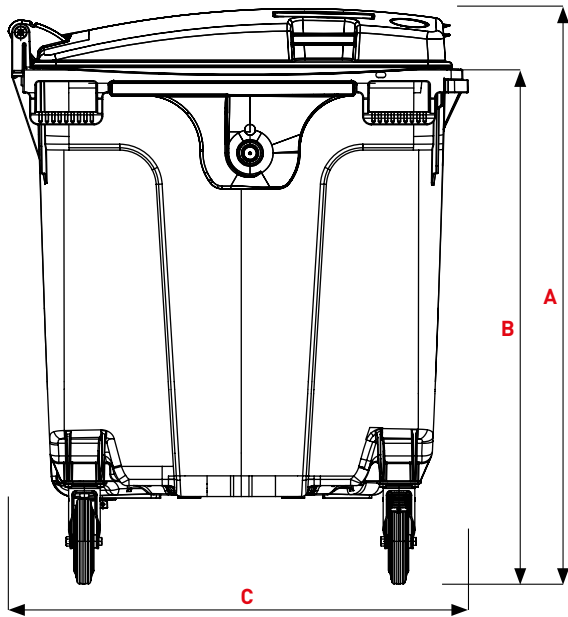
- A Body
- B DIN comb lifting system, double stage
- C Stacking ribs
- D Marking areas
- E Ergonomic handles lateral 4x
- F Chip nest as standard
- G Functional castors 2x
- H Swivel castors 2x



## OUR MAJOR CLIENTS



25 YEAR PARTNERSHIP WITH SULO



**FLAT LID WITH LID-IN-LID**

**Dimensions (mm)**

<b>A</b> Height total ~	1330
<b>B</b> Upper comb edge ~	1205
<b>C</b> Bin depth ~	1075
<b>D</b> Width total ~	1370

**Weights**

Nominal volume (L)	1100
Empty weight (kg) ~	46
Max. filling weight(kg) ~	440
Max. total weight (kg) ~	510

Dimensions may vary due to production conditions. The specified empty weights are rounded average based on the standard specifications. The actual weight may be different as a result of production conditions and specifications.