

8 7 6 5 4 3 2 1

F F

E E

D D

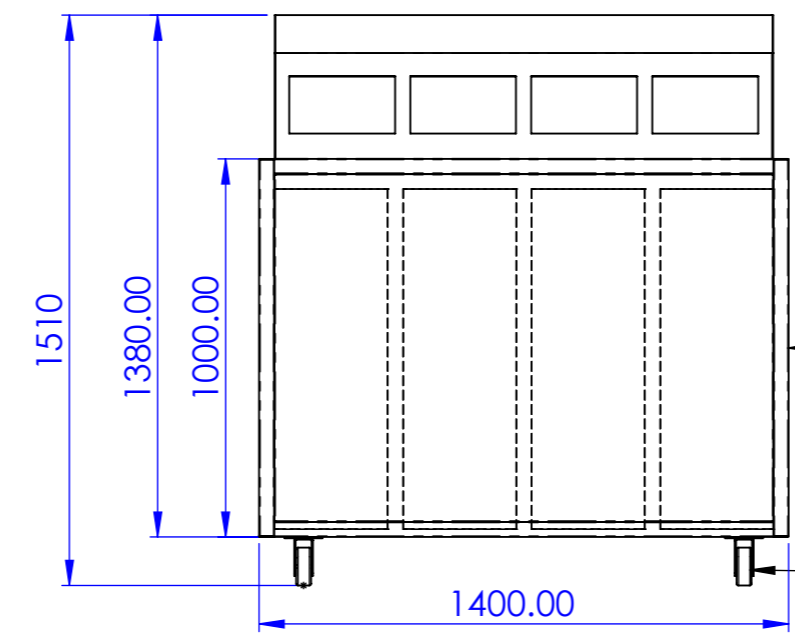
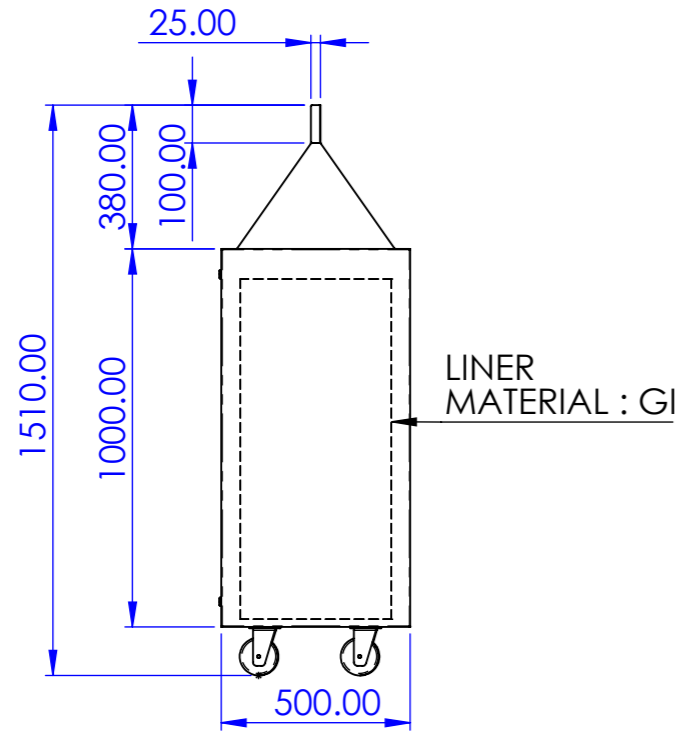
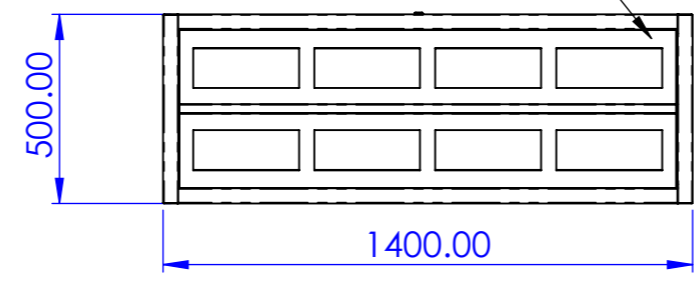
C C

B B

A A



TOP LID
MATERIAL : SS-316
FINISHING : BRUSH FINISH



BODY
MATERIAL : MILD STEEL
FINISHING : ZINC RICH PRIMER AND POWDER COATING
(SEMIGLOSSY/MATT/TEXTURED)
COLOUR-AS PER REQUIREMENT.

STANDARD CASTOR WHEEL-4 NOS(DIA-100mm)

MODEL : STAZIONE RECYCLING BIN (L-1400 X W-500 X H-1510mm)
 MATERIAL : MILD STEEL , STAINLESS STEEL-316.
 FINISHING : BODY-ZINC RICH PRIMER AND POWDER COATING
 (SEMIGLOSSY/MATT/TEXTURED)
 COLOUR-AS PER REQUIREMENT.
 LID-SS-316(BRUSH FINISH).
 LINER CAPACITY : 4 X 90 Ltr
 INSTALLATION : FREE STANDING.

SPECIFIED DIMENSIONS ARE IN MILLIMETERS

NOTE: Please note that by using this drawing in any format, you are accepting that Bluestream owns the copyright. You are licensed to use this drawing for any product on which Bluestream are tendering, and you should not knowingly allow others to copy this drawing. Obtain appropriate licenses from Bluestream if you intend to use the intellectual property rights of Bluestream in performing your obligations under any contract. Bluestream reserves the right to amend specifications without notice for product improvement.

UNLESS OTHERWISE SPECIFIED: DIMENSIONS ARE IN MILLIMETERS SURFACE FINISH: TOLERANCES: +-5mm LINEAR: ANGULAR:		THIRD ANGLE PROJECTION		DEBURR AND BREAK SHARP EDGES		DO NOT SCALE DRAWING		REVISION: 01	
DRAWN				CLIENT:				Main Contractor:	
CHKD				CONSULTANT:				TITLE: STAZIONE RECYCLING BIN	
APPVD				DWG NO.				A3	
APPVD				Reference SO NO.: NA				SCALE: 1:20	
APPVD				SHEET 1 OF 1					
MFG									
Q.A									

8 7 6 5 4 3 2 1