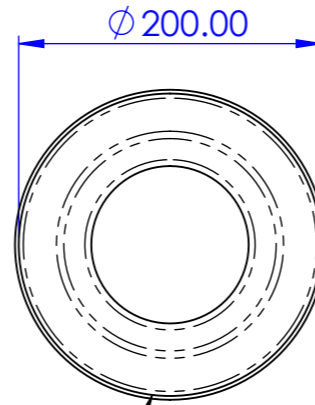
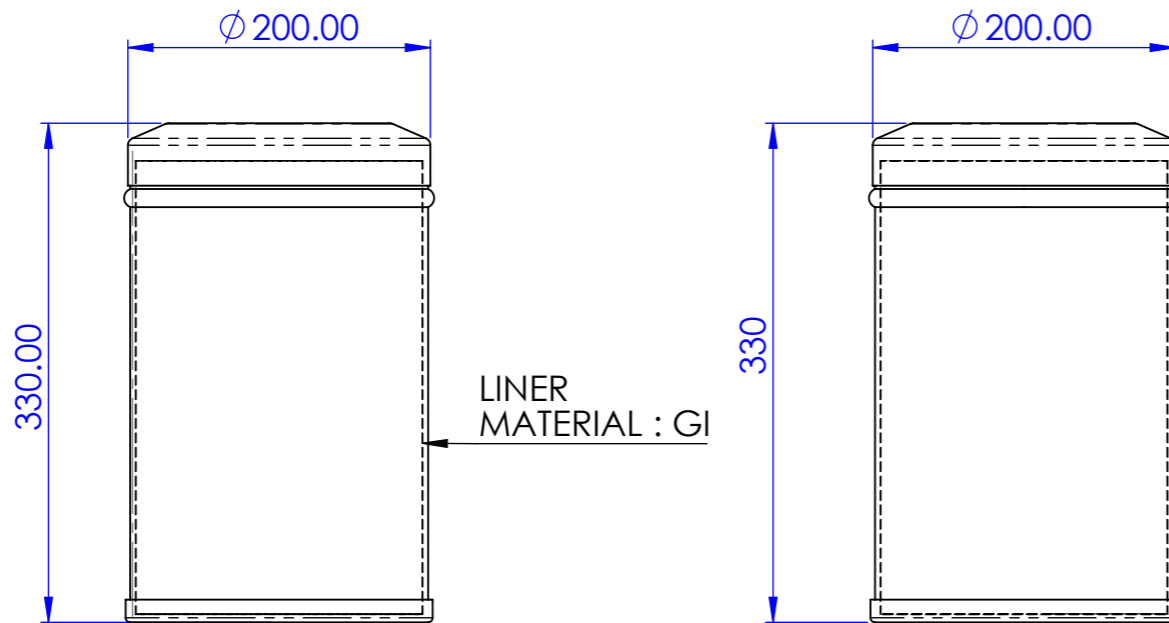


LID
 MATERIAL : STAINLESS STEEL-316
 FINISHING : BRUSH FINISH



BODY
 MATERIAL : STAINLESS STEEL-316
 FINISHING : BRUSH FINISH



MODEL : PICALLO LITTER BIN(DIA-200 X H-300mm)
 MATERIAL : STAINLESS STEEL-316
 FINISHING : BRUSH FINISH
 LINER CAPACITY : 7 Ltr.
 INSTALLATION : FREE STANDING

SPECIFIED DIMENSIONS ARE IN MILLIMETERS

NOTE:Please note that by using this drawing in any format,you are accepting that Bluestream owns the copyright.You are licensed to use this drawing for any product on which Bluestreamme are tendering, and you should not knowingly allow others to copy this drawing.Obtain appropriate licenses from Bluestream if you intend to use the intellectual property rights of Bluestreamme in performing your obligations under any contract.Bluestreamme reserves the right to amend specifications without notice for product improvement.

UNLESS OTHERWISE SPECIFIED: DIMENSIONS ARE IN MILLIMETERS SURFACE FINISH: TOLERANCES:+.5mm LINEAR: ANGULAR:				THIRD ANGLE PROJECTION		DEBURR AND BREAK SHARP EDGES		DO NOT SCALE DRAWING		REVISION: 01	
								Project Description:			
								Main Contractor:			
								TITLE: PICALLO LITTER BIN			
								DWG NO. A3			
								SCALE:1:5			
								SHEET 1 OF 1			

	NAME	SIGNATURE	DATE	CLIENT:
DRAWN				
CHKD				
APPVD				
APPVD				
APPVD				
APPVD				
MFG				
Q.A				



Reference SO NO.:NA