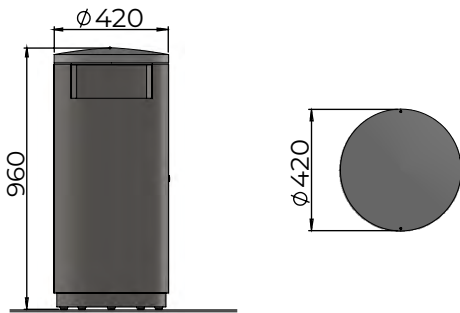


TAURUS SS litter bin

Taurus SS has a Stainless steel body. It can also be customized to be available in Mild steel with Powder Coated finish in Zinc rich primer. The bin has a front door to empty it. SS 316 lock, ashtray or logo plate are as add-ons for the bin. A inner Galvanised steel container is present to hold the waste bag.



DIMENSIONS



Free standing / Surface Fixed
60 L

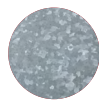


SCAN TO
VIEW IN AR

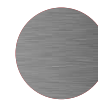
MATERIAL AND FINISH



BODY, LID
Stainless Steel
Brush finish



LINER
Steel
Galvanised



ACCESSORIES
Stainless Steel

ADD-ONS

Signage / Logo

Lock (SS 316)

[Standard Graphics \(click to view\)](#)

Ashtray (SS 316)

WARRANTY

[Warranty document \(click to view\)](#)

CERTIFICATIONS

