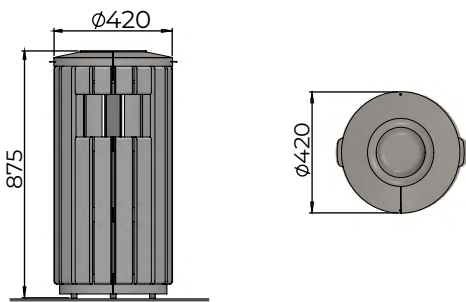


TAURUS C litter bin

Taurus C is made of Mild steel with Powder Coated finish in Zinc rich primer. It has Iroko wooden slats cladded to the structure with stain dark walnut finish. The bin has a top opening to empty the waste. It contains a Galvanised Steel inner container to hold waste bag.



DIMENSIONS



Free standing / Surface Fixed
50 L






SCAN TO
VIEW IN AR

MATERIAL AND FINISH

	BODY, LID Steel Powder Coating		BODY Iroko Wood PU Stain		LINER Steel Galvanised		ACCESSORIES Stainless Steel
--	---	---	---------------------------------------	---	-------------------------------------	---	---------------------------------------

STANDARD COLOURS

	RAL 1013 Pearl White
	RAL 7016 Anthracite Grey
	RAL 9005 Jet Black

FINISH - POWDER COATING

- Semi - gloss
- Matt
- Texture

ADD-ONS

Signage / Logo

Ashtray (SS 316)

[Standard Graphics](#) (click to view)

WARRANTY

[Warranty document](#) (click to view)

CERTIFICATIONS

