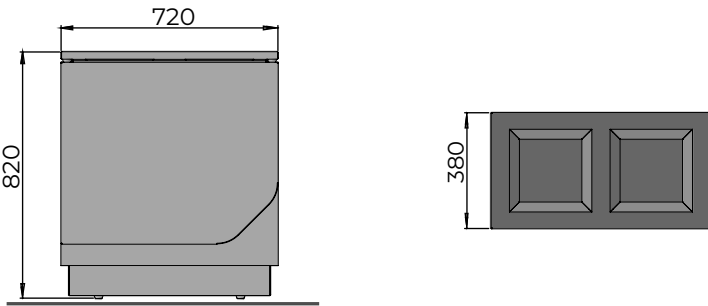


LAKSHA II recycling bin

Laksha II has a Mild steel body with Powder Coated finish in Zinc rich primer. It has a top opening for emptying the bin. It has Iroko wood cladded on the body with stain dark walnut finish. Custom Logo can be Wood engraved. It also contains two inner Galvanised steel containers to hold waste bags.



DIMENSIONS

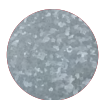


Free standing / Surface Fixed
2 x 40 L



SCAN TO
VIEW IN AR

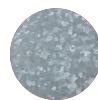
MATERIAL AND FINISH



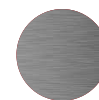
BODY, LID
Steel
Powder Coating



BODY
Iroko Wood
PU Stain

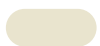


LINER
Steel
Galvanised



ACCESSORIES
Stainless Steel

STANDARD COLOURS



RAL 1013 Pearl White



RAL 7016 Anthracite Grey



RAL 9005 Jet Black

FINISH - POWDER COATING

- Semi - gloss
- Matt
- Texture

ADD-ONS

Signage / Logo

Lock (SS 316)

[Standard Graphics](#) (click to view)

WARRANTY

[Warranty document](#) (click to view)

CERTIFICATIONS

