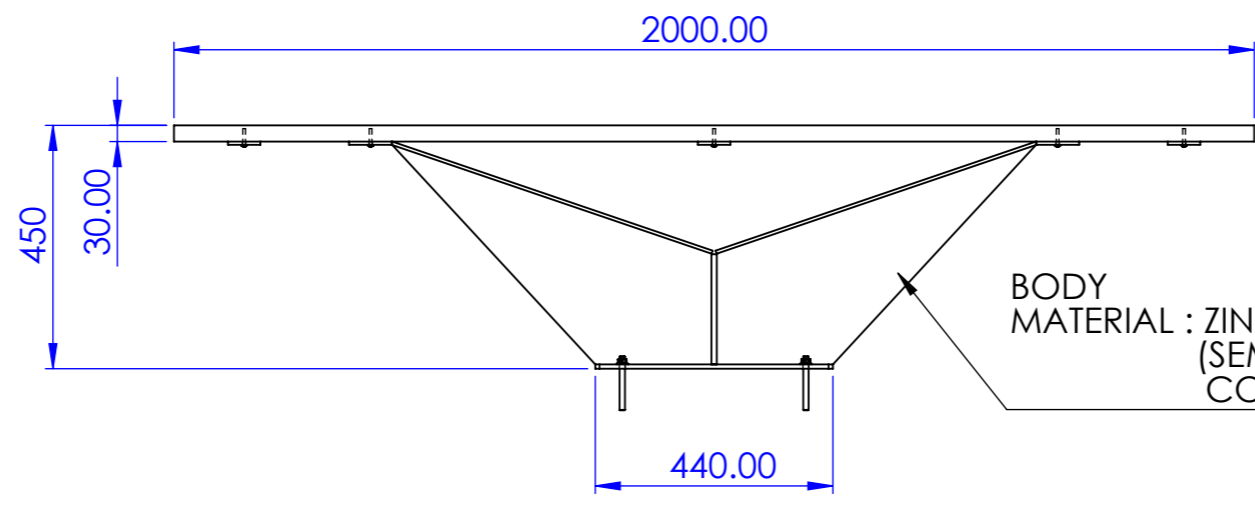
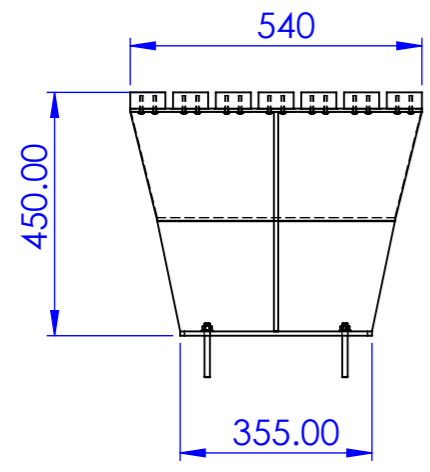


WOOD
MATERIAL : IROKO WOOD
FINISHING : STAIN DARK WALNUT-4052.



BODY
MATERIAL : ZINC RICH PRIMER AND POWDER COOATING
(SEMIGLOSSY/MATT/TEXTURED)
COLOUR-AS PER REQUIREMENT.

MODEL : LAKSHA BENCH (L-2000 X W-540 X H-450mm)
MATERIAL : MILD STEEL AND IROKO WOOD.
FINISHING : BODY - ZINC RICH PRIMER AND POWDER COATING.
(SEMIGLOSSY/MATT/TEXTURED)
COLOUR-AS PER REQUIREMENT.
: WOOD - STAIN DARK WALNUT-4052.
INSTALLATION : FREE STANDING/SURFACE FIXING.

SPECIFIED DIMENSIONS ARE IN MILLIMETERS

NOTE: Please note that by using this drawing in any format, you are accepting that Bluestream owns the copyright. You are licensed to use this drawing for any product on which Bluestream are tendering, and you should not knowingly allow others to copy this drawing. Obtain appropriate licenses from Bluestream if you intend to use the intellectual property rights of Bluestream in performing your obligations under any contract. Bluestream reserves the right to amend specifications without notice for product improvement.

UNLESS OTHERWISE SPECIFIED: DIMENSIONS ARE IN MILLIMETERS SURFACE FINISH: TOLERANCES: +5mm LINEAR: ANGULAR:				THIRD ANGLE PROJECTION		DEBURR AND BREAK SHARP EDGES		DO NOT SCALE DRAWING		REVISION: 01	
DRAWN				CLIENT:				Main Contractor:			
CHKD				CONSULTANT:				TITLE: LAKSHA BENCH			
APPVD				DWG NO.				A3			
APPVD				Reference SO NO.: NA				SCALE: 1:20			
APPVD				SHEET 1 OF 1							
MFG											
Q.A											