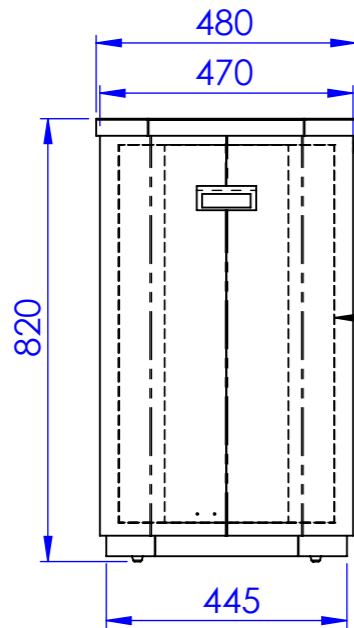
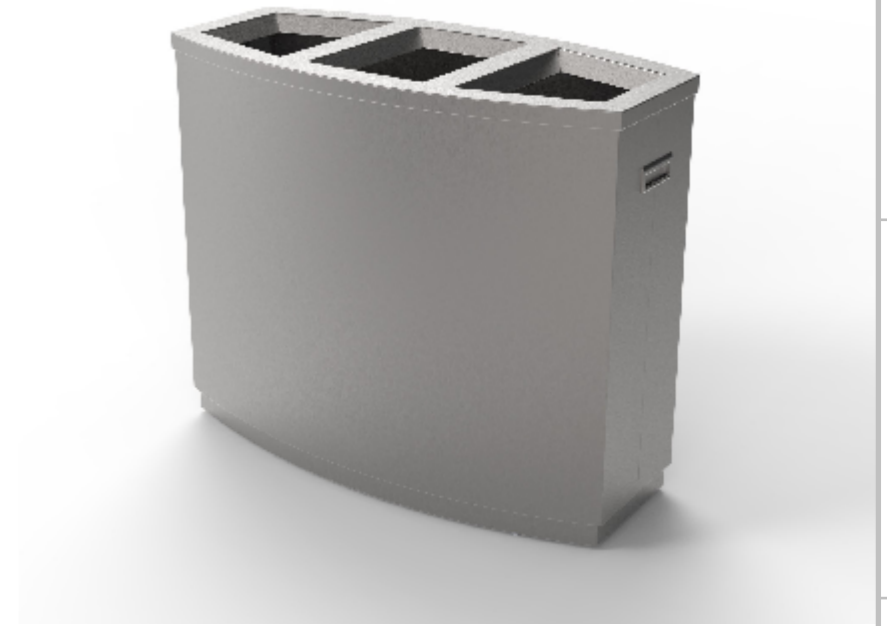
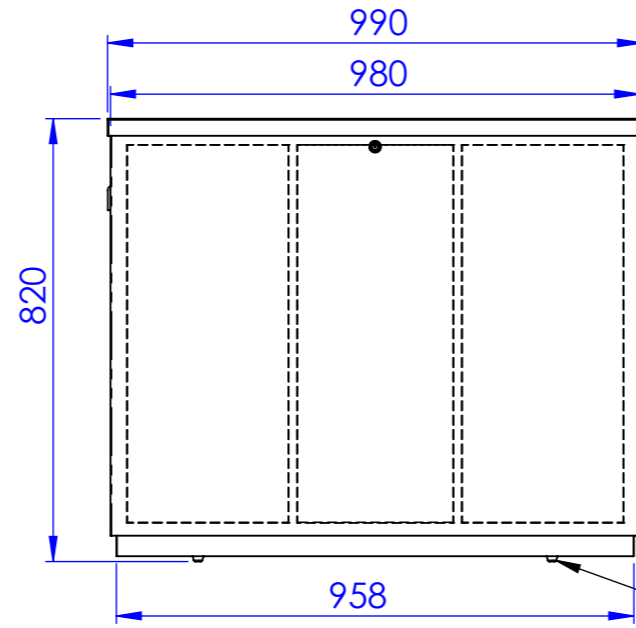


LID
 MATERIAL : STAINLESS STEEL(SS-316)
 FINISHING : BRUSH FINISH



LINER
 MATERIAL : GI



BODY
 MATERIAL : STAINLESS STEEL(SS-316)
 FINISHING : BRUSH FINISH

BOTTOM BUSH - 4 NOS

MODEL : KOSMO RECYCLING BIN(L-990 X W-480 X H-820mm)
 MATERIAL : STAINLESS STEEL-316.
 FINISHING : BRUSH FINISH.
 LINER CAPACITY : 3X50Ltr
 INSTALLATION : FREE STANDING.

SPECIFIED DIMENSIONS ARE IN MILLIMETERS

NOTE:Please note that by using this drawing in any format,you are accepting that Bluestream owns the copyright.You are licensed to use this drawing for any product on which Bluestreamme are tendering, and you should not knowingly allow others to copy this drawing.Obtain appropriate licenses from Bluestream if you intend to use the intellectual property rights of Bluestreamme in performing your obligations under any contract.Bluestreamme reserves the right to amend specifications without notice for product improvement.

UNLESS OTHERWISE SPECIFIED: DIMENSIONS ARE IN MILLIMETERS SURFACE FINISH: TOLERANCES:±.5mm LINEAR: ANGULAR:				THIRD ANGLE PROJECTION		DEBURR AND BREAK SHARP EDGES		DO NOT SCALE DRAWING		REVISION: 01	
				CLIENT:				Main Contractor:			
DRAWN				CONSULTANT:				TITLE: KOSMO RECYCLING BIN			
CHKD								DWG NO.			
APPVD								A3			
APPVD								SCALE:1:10			
APPVD								SHEET 1 OF 1			
APPVD											
MFG											
Q.A				Reference SO NO.:NA							