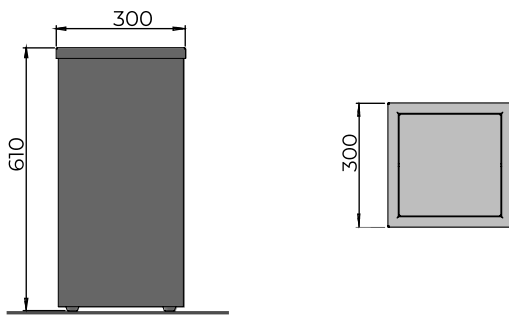


KAVA swing top bin

Kava has a Mild steel body with Powder Coated finish in Zinc rich primer. It has a inner Galvanised steel container to hold waste bag.



DIMENSIONS

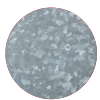


Free standing
25 L

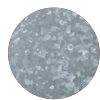


SCAN TO
VIEW IN AR

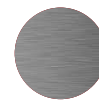
MATERIAL AND FINISH



BODY, LID
Steel
Powder Coating



LINER
Steel
Galvanised



ACCESSORIES
Stainless Steel

STANDARD COLOURS



RAL 1013 Pearl White



RAL 7016 Anthracite Grey



RAL 9005 Jet Black

FINISH - POWDER COATING

- Semi - gloss
- Matt
- Texture

ADD-ONS

Signage / Logo

[Standard Graphics \(click to view\)](#)

WARRANTY

[Warranty document \(click to view\)](#)

CERTIFICATIONS

