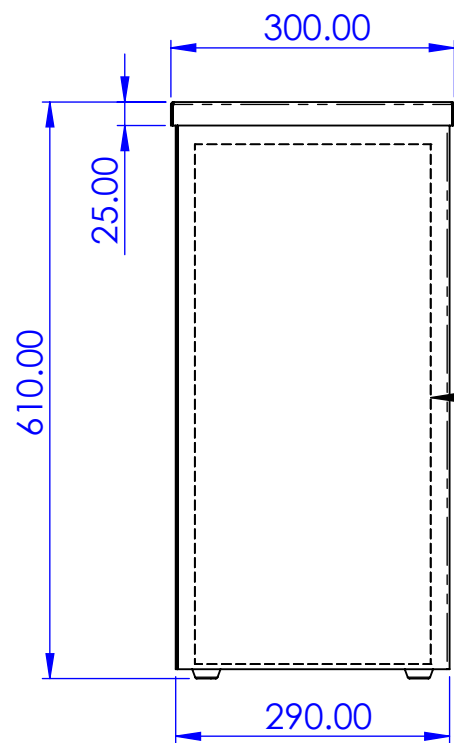
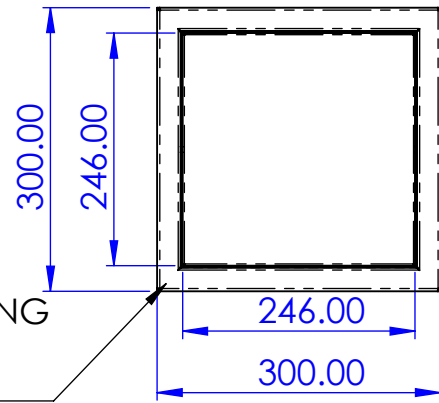
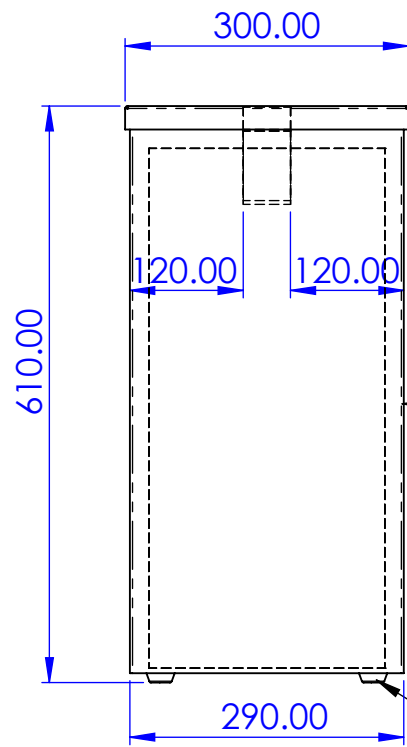


BODY
 MATERIAL: MILD STEEL
 FINISHING : ZINC RICH PRIMER AND POWDER COATING
 (SEMIGLOSSY /MATT/TEXTURED)
 COLUR-AS PER REQUIREMENT.



LINER
 MATERIAL: GI



BODY
 MATERIAL: MILD STEEL
 FINISHING : ZINC RICH PRIMER AND POWDER COATING
 (SEMIGLOSSY /MATT/TEXTURED)
 COLUR-AS PER REQUIREMENT.

BOTTOM BUSH-4 NOS.

MODEL :KAVA SWING TOP BIN(L-300 X W-300 X H-610mm)
 MATERIAL : MILD STEEL
 FINISHING :ZINC RICH PRIMER AND POWDER COATING.
 (SEMIGLOSSY/MATT/TEXTURED)
 COLOUR-AS PER REQUIREMENT.
 CAPACITY :25 Ltr.
 INSTALLATION : FREE STANDING/SURFACE FIXING.

SPECIFIED DIMENSIONS ARE IN MILLIMETERS

NOTE:Please note that by using this drawing in any format,you are accepting that Bluestream owns the copyright.You are licensed to use this drawing for any product on which Bluestream are tendering, and you should not knowingly allow others to copy this drawing.Obtain appropriate licenses from Bluestream if you intend to use the intellectual property rights of Bluestream in performing your obligations under any contract.Bluestream reserves the right to amend specifications without notice for product improvement.

UNLESS OTHERWISE SPECIFIED: DIMENSIONS ARE IN MILLIMETERS SURFACE FINISH: TOLERANCES:+.5mm LINEAR: ANGULAR:			THIRD ANGLE PROJECTION		DEBURR AND BREAK SHARP EDGES	DO NOT SCALE DRAWING	REVISION: 01
						Project Description:	
						Main Contractor:	
						TITLE: KAVA SWING TOP BIN	
						DWG NO.	
						A3	
						Reference SO NO.:NA	
						SCALE:1:1	
						SHEET 1 OF 1	

	NAME	SIGNATURE	DATE	CLIENT:
DRAWN				
CHKD				
APPVD				
APPVD				
APPVD				
APPVD				
MFG				
Q.A				

