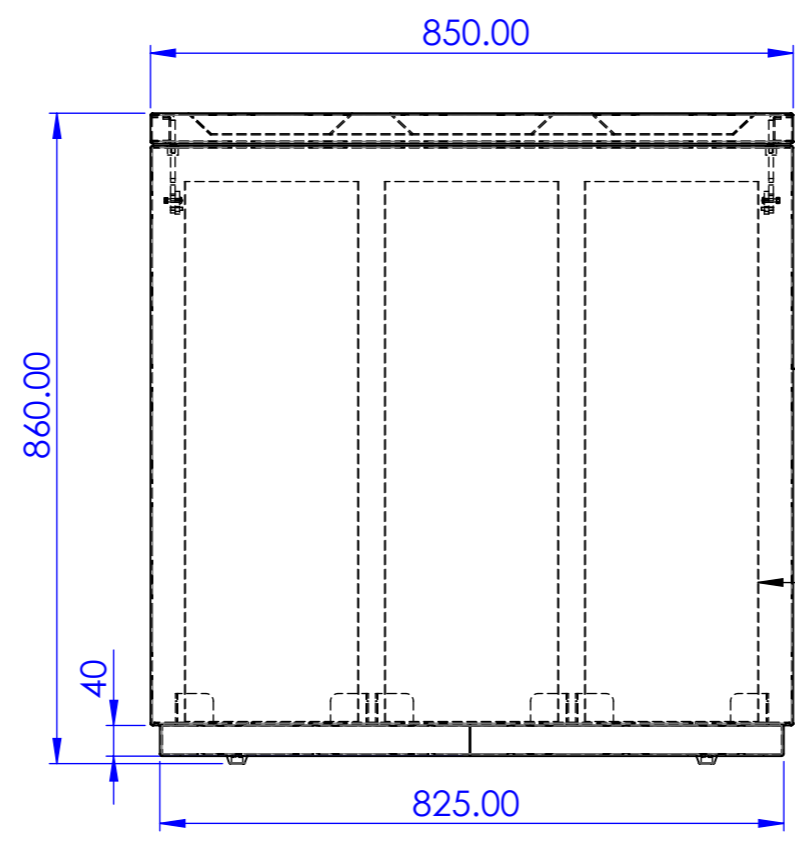
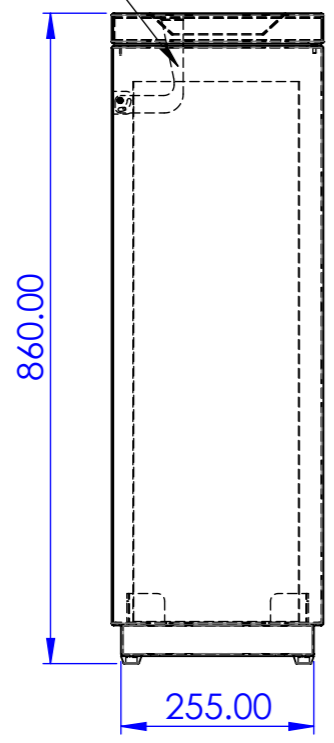


INSIDE HINGE X 2 NOS



BODY MATERIAL : MILD STEEL
 FINISHING : ZINC RICH PRIMER AND POWDER COATING
 (SEMIGLOSSY / MATT / TEXTURED)

INSIDE LINER X 3NOS

MODEL : KAVA III - RECYCLING BIN (L-850X W-280 X H-860 mm)
 MATERIAL : MILD STEEL.
 FINISHING : ZINC RICH PRIMER AND POWDER COATING.
 (SEMIGLOSSY / MATT / TEXTURED)
 COLOUR-AS PER REQUIREMENT.
 CAPACITY :35 L - EACH.
 INSTALLATION : FREE STANDING/ SURFACE FIXING.

NOTE:Please note that by using this drawing in any format,you are accepting that Bluestream owns the copyright.You are licensed to use this drawing for any product on which Bluestreamme are tendering, and you should not knowingly allow others to copy this drawing.Obtain appropriate licenses from Bluestream if you intend to use the intellectual property rights of Bluestreamme in performing your obligations under any contract.Bluestreamme reserves the right to amend specifications without notice for product improvement.

UNLESS OTHERWISE SPECIFIED: DIMENSIONS ARE IN MILLIMETERS SURFACE FINISH: TOLERANCES:±5mm LINEAR: ANGULAR:		THIRD ANGLE PROJECTION	DEBURR AND BREAK SHARP EDGES	DO NOT SCALE DRAWING	REVISION: 01
NAME	SIGNATURE	DATE			
DRAWN					
CHKD					
APPVD			TITLE: KAVA III - RECYCLING BIN		
APPVD			DWG NO. A3		
APPVD			Reference SO NO.:NA		
APPVD			SCALE:1:10		
MFG			SHEET 1 OF 1		
Q.A					

