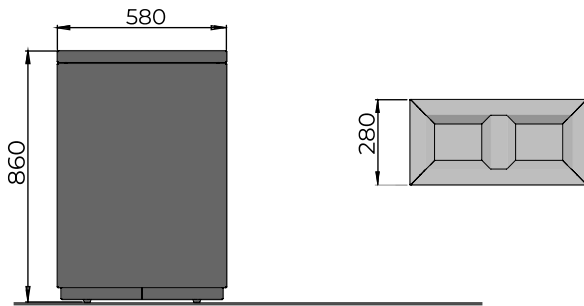


# KAVA II recycling bin

Kava II is made of Mild steel body, lid & skirting with Powder Coated finish in Zinc rich primer. The bin has a top opening to empty the waste. It comes in dual colour and contains two galvanised steel inner containers to hold waste bags.



## DIMENSIONS

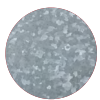


Free standing / Surface Fixed  
2 x 35 L

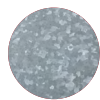


SCAN TO  
VIEW IN AR

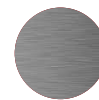
## MATERIAL AND FINISH



**BODY, LID**  
Steel  
Powder Coating



**LINER**  
Steel  
Galvanised



**ACCESSORIES**  
Stainless Steel

## STANDARD COLOURS



RAL 1013 Pearl White



RAL 7016 Anthracite Grey



RAL 9005 Jet Black

## FINISH - POWDER COATING

- Semi - gloss
- Matt
- Texture

## ADD-ONS

Signage / Logo

Lock (SS 316)

[Standard Graphics](#) (click to view)

## WARRANTY

[Warranty document](#) (click to view)

## CERTIFICATIONS

