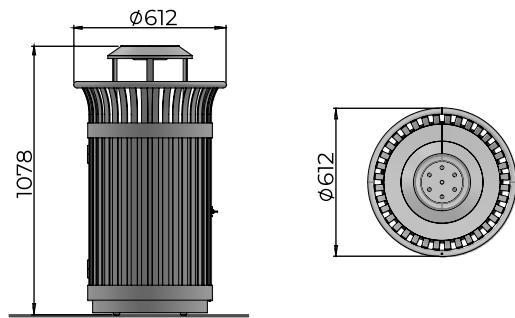


HERITAGE litter bin

Heritage is a litter bin made up of Mild Steel with Powder Coated finish in Zinc rich primer. The bin can be customised with or without an SS Ashtray. It has a front door opening to empty the bin. Heritage contains a galvanised steel container to hold the waste bag.



DIMENSIONS

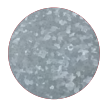


Free standing / Surface Fixed
100 L

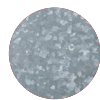


SCAN TO
VIEW IN AR

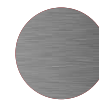
MATERIAL AND FINISH



BODY, DOOR
Steel
Powder Coating



LINER
Steel
Galvanised



ACCESSORIES
Stainless Steel

STANDARD COLOURS



RAL 1013 Pearl White



RAL 7016 Anthracite Grey



RAL 9005 Jet Black

FINISH - POWDER COATING

- Semi - gloss
- Matt
- Texture

ADD-ONS

Signage / Logo

Lock (SS 316)

[Standard Graphics](#) (click to view)

Ashtray (SS 316)

WARRANTY

[Warranty document](#) (click to view)

CERTIFICATIONS

