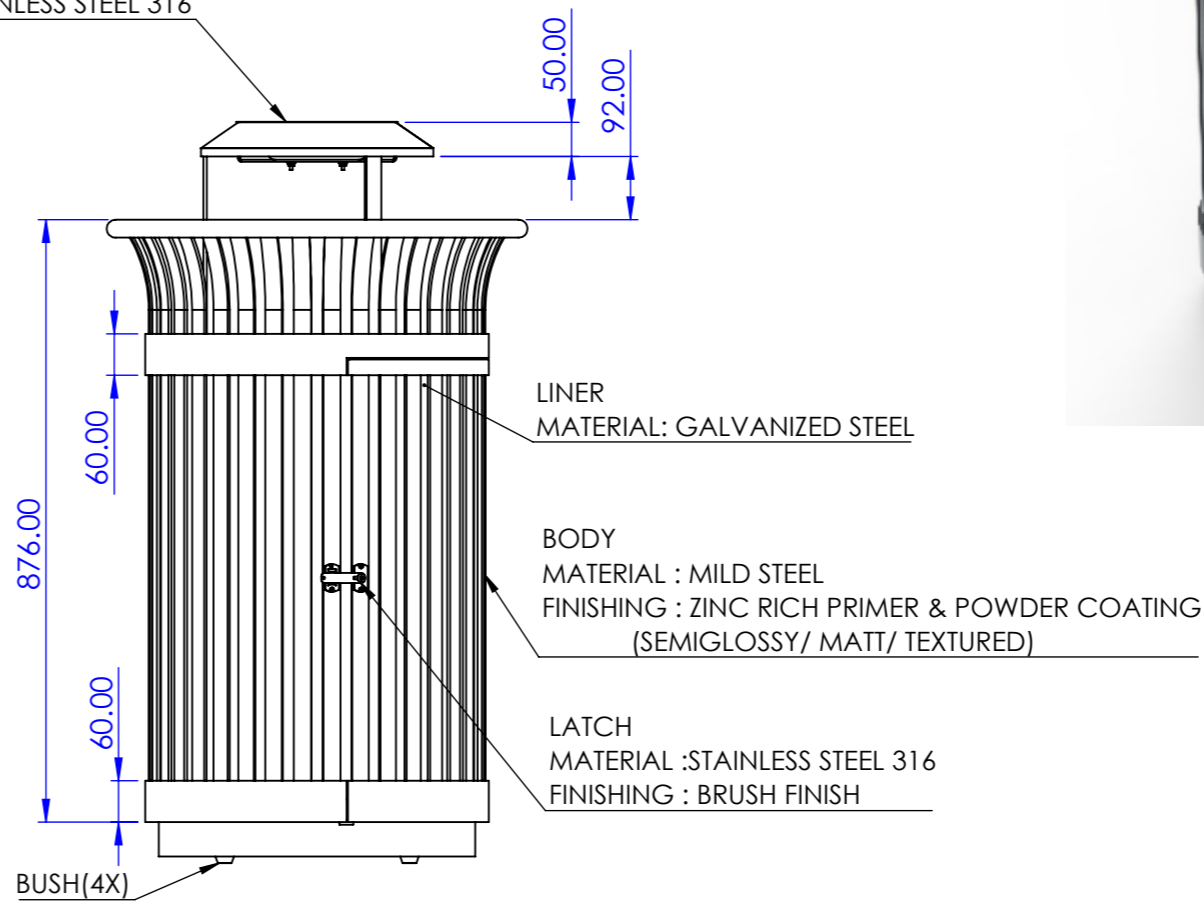


STANDARD ASHTRAY
MATERIAL : STAINLESS STEEL 316



MODEL : HERITAGE LITTER BIN (DIA 612 X H-1078mm)
 MATERIAL : MILD STEEL
 FINISHING :ZINC RICH PRIMER & POWDER COATING (SEMIGLOSSY/ MATT/ TEXTURED)
 COLOR-AS PER REQUIREMENT
 LINER CAPACITY: 100L
 INSTALLATION : FREE STANDING/ SURFACE FIXING

NOTE:Please note that by using this drawing in any format,you are accepting that Bluestream owns the copyright.You are licensed to use this drawing for any product on which Bluestreamme are tendering, and you should not knowingly allow others to copy this drawing.Obtain appropriate licenses from Bluestream if you intend to use the intellectual property rights of Bluestreamme in performing your obligations under any contract.Bluestreamme reserves the right to amend specifications without notice for product improvement.

UNLESS OTHERWISE SPECIFIED: DIMENSIONS ARE IN MILLIMETERS SURFACE FINISH: TOLERANCES:+5mm LINEAR: ANGULAR:		THIRD ANGLE PROJECTION		DEBURR AND BREAK SHARP EDGES	DO NOT SCALE DRAWING	REVISION: 0
NAME	SIGNATURE	DATE	TITLE: HERITAGE LITTER BIN			
DRAWN			A3			
CHK'D			SCALE:1:20			
APPV'D			SHEET 1 OF 1			
APPV'D			Reference SO NO.:NA			
APPV'D			BLUESTREAM ENHANCING URBAN ENVIRONMENTS			
MFG						
Q.A						