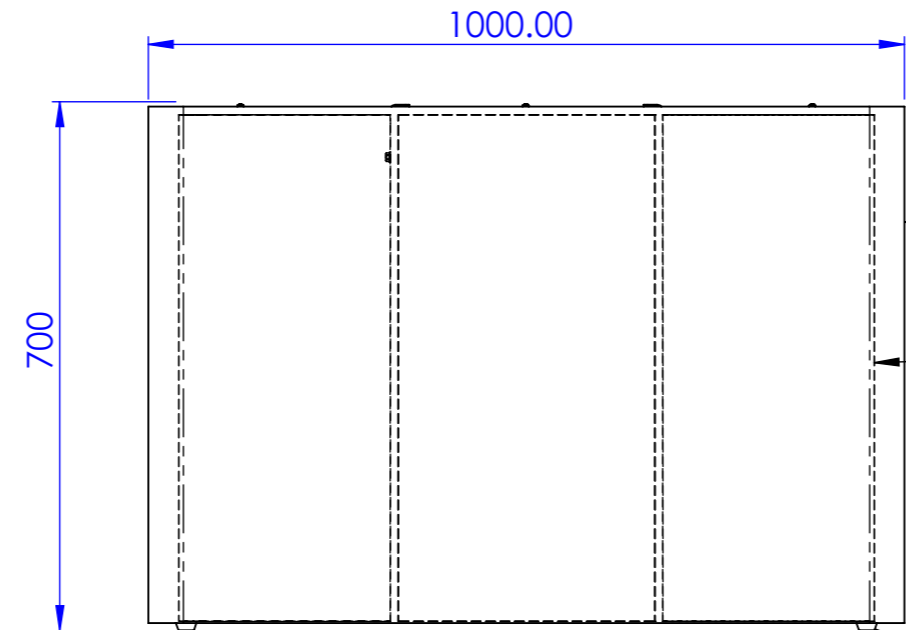
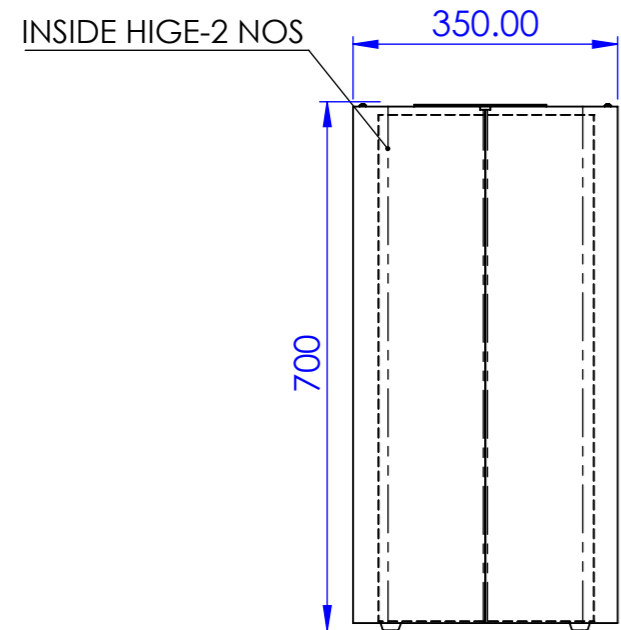
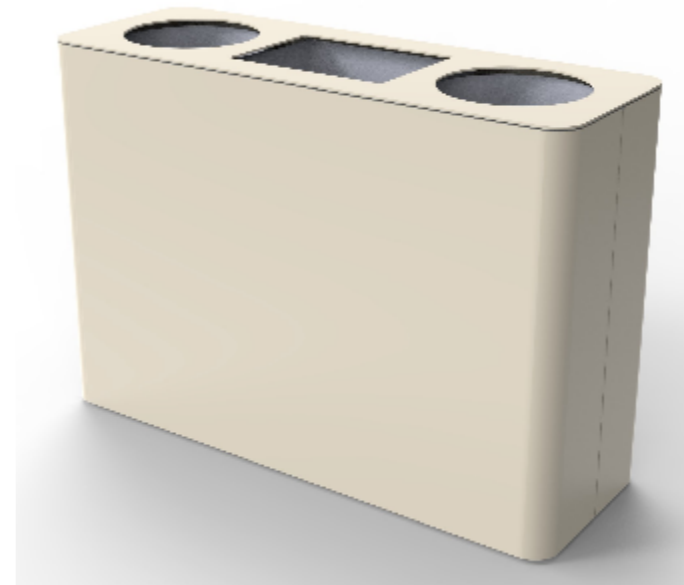


TOP LID
 MATERIAL : MILD STEEL
 FINISHING : ZINC RICH PRIMER AND POWDER COATING.
 (SEMIGLOSSY/MATT/TEXTURED)
 COLOUR-AS PER REQUIREMENT.



BODY
 MATERIAL : MILD STEEL
 FINISHING : ZINC RICH PRIMER AND POWDER COATING.
 (SEMIGLOSSY/MATT/TEXTURED)
 COLOUR-AS PER REQUIREMENT.

INSIDE GI LINER X 3NOS

BOTTOM BUSHX4 NOS

MODEL : BLANC RECYCLING BIN (L-1000 X W-350 XH-700mm)
 MATERIAL : MILD STEEL
 FINISHING : ZINC RICH PRIMER AND POWDER COATING.
 (SEMIGLOSSY/MATT/TEXTURED)
 COLOUR-AS PER REQUIREMENT.

LINER CAPACITY: 1X65 Ltr AND 2X40 Ltr.
 INSTALLATION : FREE STANDING/SURFACE FIXING.

SPECIFIED DIMENSIONS ARE IN MILLIMETERS

NOTE: Please note that by using this drawing in any format, you are accepting that Bluestream owns the copyright. You are licensed to use this drawing for any product on which Bluestream are tendering, and you should not knowingly allow others to copy this drawing. Obtain appropriate licenses from Bluestream if you intend to use the intellectual property rights of Bluestream in performing your obligations under any contract. Bluestream reserves the right to amend specifications without notice for product improvement.

UNLESS OTHERWISE SPECIFIED: DIMENSIONS ARE IN MILLIMETERS SURFACE FINISH: TOLERANCES: +-5mm LINEAR: ANGULAR:			THIRD ANGLE PROJECTION		DEBURR AND BREAK SHARP EDGES	DO NOT SCALE DRAWING	REVISION: 01
			CLIENT:		Project Description:		
DRAWN: KARTHICK			DATE: 18.08.2023		Main Contractor:		
CHK'D: HUSSAIN			DATE: 18.08.2023		TITLE: BLANC RECYCLING BIN		
APPV'D: VEENA			DATE: 18.08.2023		DWG NO. A3		
APPV'D:			CONSULTANT: NA		SCALE: 1:1		
APPV'D:			Reference SO NO.: NA		SHEET 1 OF 1		
APPV'D:			MFG:				
Q.A:							

