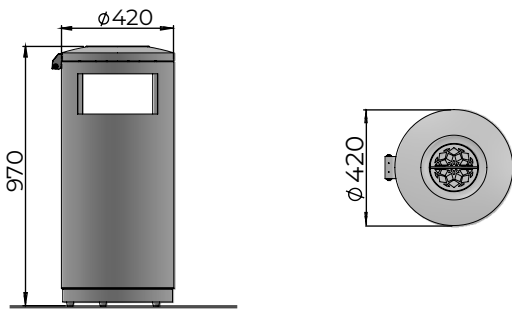


TAURUS I litter bin

Taurus I has a Mild steel body with Powder Coated finish in Zinc rich primer. The bin has a top opening to empty it. SS 316 lock, ashtray or logo plate are as add-ons for the bin. A inner Galvanised steel container is present to hold the waste bag.



DIMENSIONS

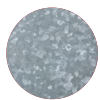


Free standing / Surface Fixed
60 L

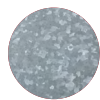


SCAN TO
VIEW IN AR

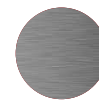
MATERIAL AND FINISH



BODY
Steel
Powder Coating



LINER
Steel
Galvanised



ACCESSORIES
Stainless Steel

STANDARD COLOURS



RAL 1013 Pearl White



RAL 7016 Anthracite Grey



RAL 9005 Jet Black

FINISH - POWDER COATING

- Semi - gloss
- Matt
- Texture

ADD-ONS

Signage / Logo

Lock

[Standard Graphics \(click to view\)](#)

Ashtray

WARRANTY

[Warranty document \(click to view\)](#)

CERTIFICATIONS

