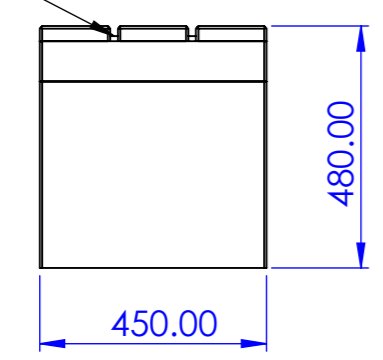
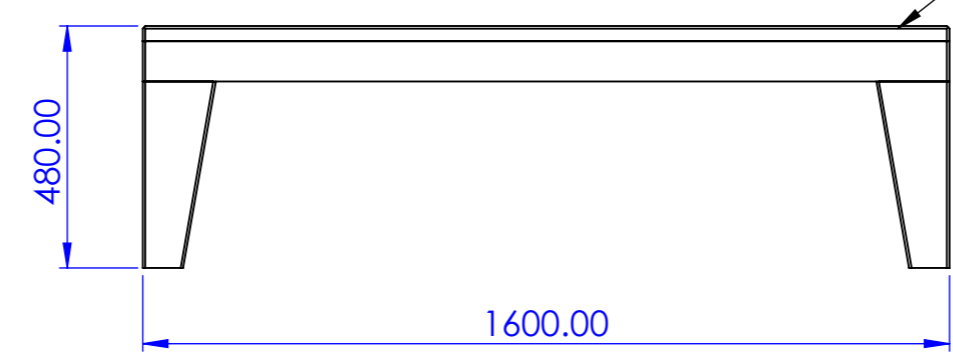


FRAME  
 MATERIAL: MILD STEEL  
 FINISH:ZINC RICH PRIMER & POWDER COATING  
 (SEMIGLOSSY/ MATT/ TEXTURED)



WOOD  
 MATERIAL: IROKO  
 FINISH:STAIN DARK WALNUT 4052



MODEL : ORIS II- BENCH (L-1600 X W450 X H-480 mm)  
 MATERIAL : GREY GRANITE / MILD STEEL / IROKO WOOD  
 FINISHING : GRANITE: HYDROPHOBIC NANOCOATING  
 METAL: ZINC RICH PRIMER & POWDER COATING  
 (SEMI GLOSSY/ MATT / TEXTURED)  
 COLOR-AS PER REQUIREMENT  
 WOOD: STAIN DARK WALNUT 4052  
 INSTALLATION : FREE STANDING

NOTE:Please note that by using this drawing in any format,you are accepting that Bluestream owns the copyright.You are licensed to use this drawing for any product on which Bluestreamme are tendering, and you should not knowingly allow others to copy this drawing.Obtain appropriate licenses from Bluestream if you intend to use the intellectual property rights of Bluestreamme in performing your obligations under any contract.Bluestreamme reserves the right to amend specifications without notice for product improvement.

UNLESS OTHERWISE SPECIFIED: DIMENSIONS ARE IN MILLIMETERS		THIRD ANGLE PROJECTION		DEBURR AND BREAK SHARP EDGES		DO NOT SCALE DRAWING		REVISION: 0	
SURFACE FINISH: TOLERANCES:+-5mm									
LINEAR:									
ANGULAR:									
	NAME	SIGNATURE	DATE			TITLE: ORIS-II-BENCH			
DRAWN									
CHK'D									
APPV'D									
APPV'D									
APPV'D									
APPV'D									
APPV'D									
MFG									
Q.A									
Reference SO NO.:NA						SCALE:1:10		SHEET 1 OF 1	
						DWG NO.		A3	