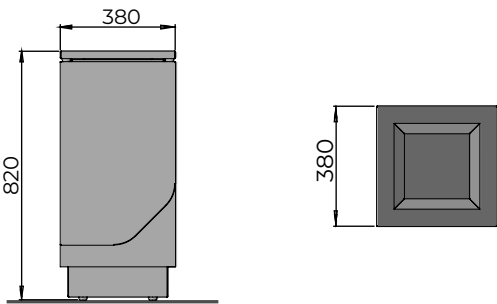


# LAKSHA I litter bin

Laksha I has a Mild steel body with Powder Coated finish in Zinc rich primer. It has a top opening for emptying the bin. It has Iroko wood cladded on the body with stain dark walnut finish. Custom Logo can be Wood engraved. It also contains a inner Galvanised steel container to hold waste bag.



## DIMENSIONS

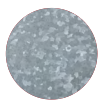


Free standing / Surface Fixed  
40 L



SCAN TO  
VIEW IN AR

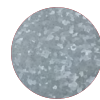
## MATERIAL AND FINISH



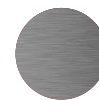
**BODY**  
Steel  
Powder Coating



**BODY**  
Iroko Wood  
PU Stain

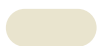


**LINER**  
Steel  
Galvanised



**ACCESSORIES**  
Stainless Steel

## STANDARD COLOURS



RAL 1013 Pearl White



RAL 7016 Anthracite Grey



RAL 9005 Jet Black

## FINISH - POWDER COATING

- Semi - gloss
- Matt
- Texture

## ADD-ONS

Signage / Logo

Lock

[Standard Graphics \(click to view\)](#)

## WARRANTY

[Warranty document \(click to view\)](#)

## CERTIFICATIONS

