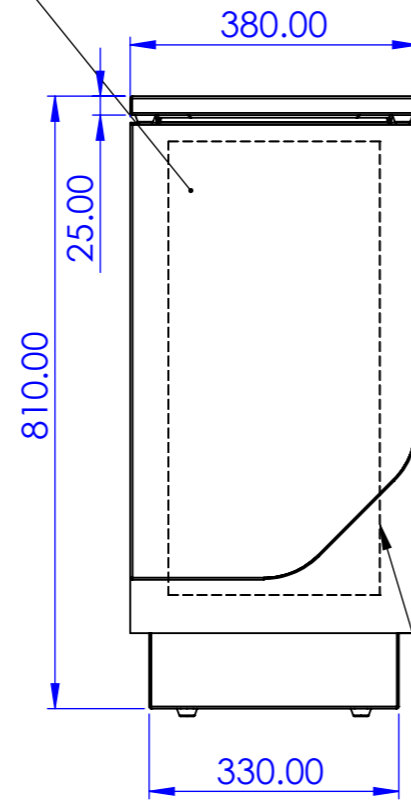
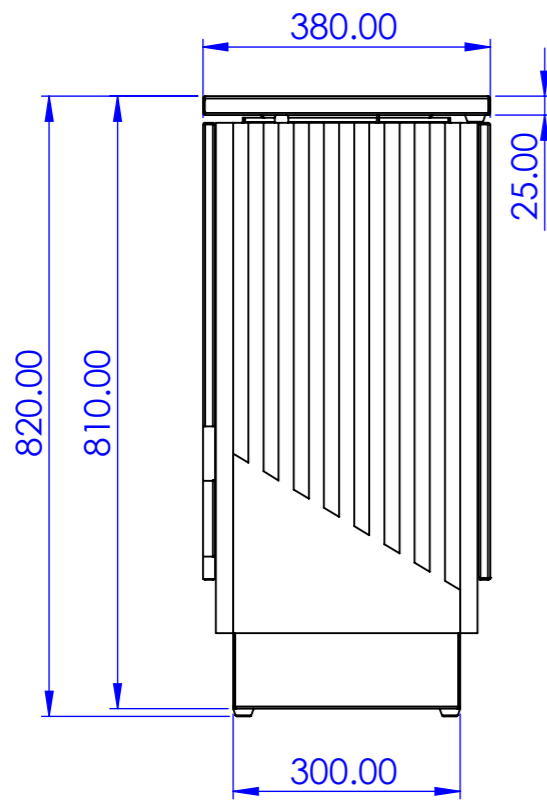
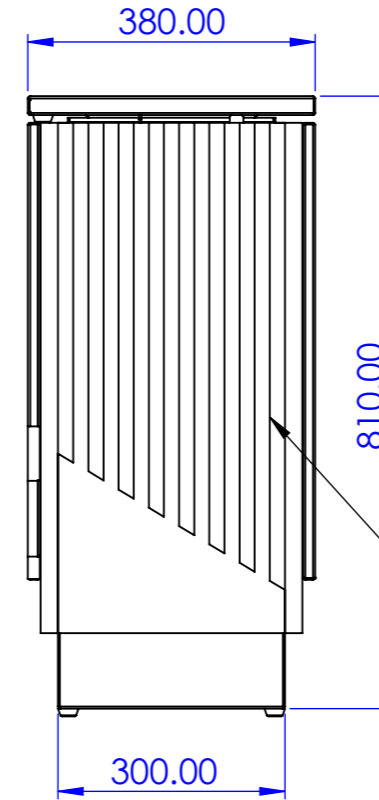


BODY
 MATERIAL: MILD STEEL
 FINISH: ZINC RICH PRIMER & POWDER COATING
 (SEMI GLOSSY/ MATT / TEXTURED)



LINER
 MATERIAL: GALVANIZED STEEL



WOOD
 MATERIAL: IROKO
 FINISH: STAIN DARK WALNUT 4052



MODEL : LAKSHA-I-LITTER BIN (L 380 X W 380 X H 820mm)
 MATERIAL : MILD STEEL AND IROKO WOOD
 FINISHING : METAL: ZINC RICH PRIMER & POWDER COATING
 (SEMI GLOSSY/ MATT / TEXTURED)
 COLOR-AS PER REQUIREMENT
 WOOD: STAIN DARK WALNUT 4052

LINER CAPACITY: 40L
 INSTALLATION : FREE STANDING/ SURFACE FIXING

NOTE: Please note that by using this drawing in any format, you are accepting that Bluestream owns the copyright. You are licensed to use this drawing for any product on which Bluestream are tendering, and you should not knowingly allow others to copy this drawing. Obtain appropriate licenses from Bluestream if you intend to use the intellectual property rights of Bluestream in performing your obligations under any contract. Bluestream reserves the right to amend specifications without notice for product improvement.

UNLESS OTHERWISE SPECIFIED: DIMENSIONS ARE IN MILLIMETERS SURFACE FINISH: TOLERANCES: ±.5mm LINEAR: ANGULAR:		THIRD ANGLE PROJECTION	DEBURR AND BREAK SHARP EDGES	DO NOT SCALE DRAWING	REVISION: 0
NAME	SIGNATURE	DATE	TITLE: LAKSHA-I-LITTER BIN		
DRAWN			DWG NO. A3		
CHK'D			Reference SO NO.: NA		
APPV'D			SCALE: 1:10		
APPV'D			SHEET 1 OF 1		
APPV'D			BLUESTREAM ENHANCING URBAN ENVIRONMENTS		
APPV'D					
MFG					
Q.A					