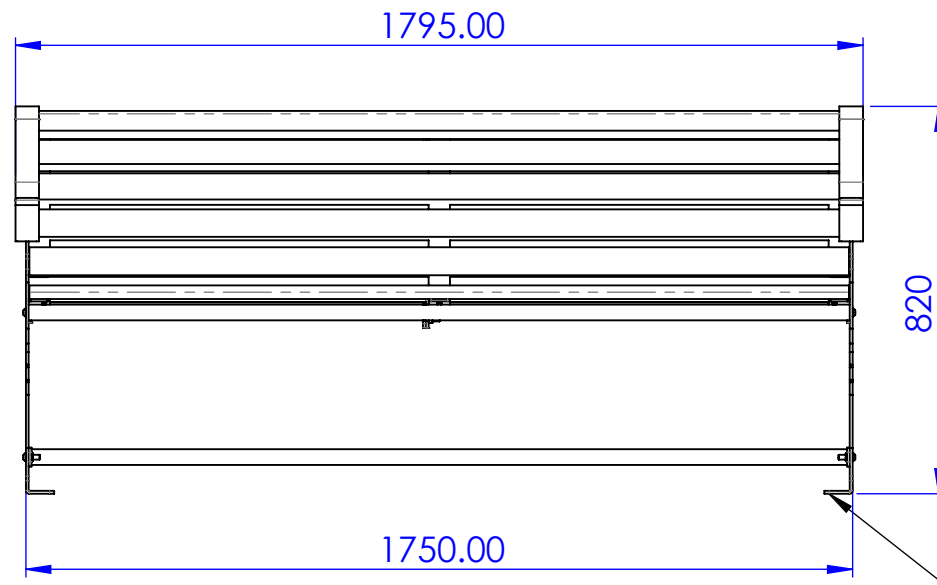
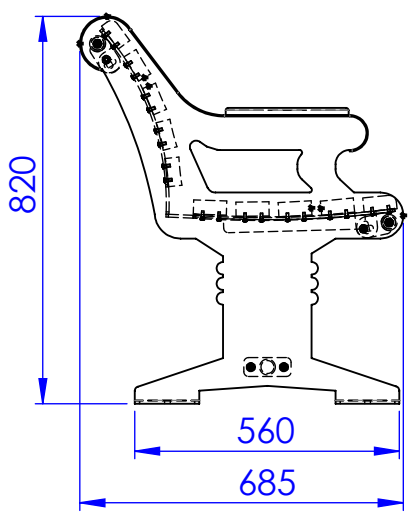


WOOD
MATERIAL : IROKO WOOD.
FINISHING : STAIN DARK WALNUT-4052.



FRAME
MATERIAL : MILD STEEL.
FINISHING : ZINC RICH PRIMER AND POWDER COATING.
(SEMIGLOSSY / MATT / TEXTURED).

MODEL : HERITAGE III -BENCH (L-1795 X W-685 X H- 820mm).
MATERIAL : MILD STEEL AND IROKO WOOD.
FINISHING : FRAME-ZINC RICH PRIMER AND POWDER COATING.
(SEMIGLOSSY / MATT / TEXTURED).
COLOUR:AS PER REQUIREMENT.
WOOD-STAIN DARK WALNUT-4052.
INSTALLATION :SURFACE FIXING.

NOTE:Please note that by using this drawing in any format,you are accepting that Bluestream owns the copyright.You are licensed to use this drawing for any product on which Bluestreamme are tendering, and you should not knowingly allow others to copy this drawing.Obtain appropriate licenses from Bluestream if you intend to use the intellectual property rights of Bluestreamme in performing your obligations under any contract.Bluestreamme reserves the right to amend specifications without notice for product improvement.

UNLESS OTHERWISE SPECIFIED: DIMENSIONS ARE IN MILLIMETERS SURFACE FINISH: TOLERANCES:±.5mm LINEAR: ANGULAR:		THIRD ANGLE PROJECTION	DEBURR AND BREAK SHARP EDGES	DO NOT SCALE DRAWING	REVISION: 01
NAME	SIGNATURE	DATE			
DRAWN					
CHK'D					
APPV'D			TITLE: HERITAGE III - BENCH		
APPV'D			DWG NO. A3		
APPV'D			Reference SO NO.:NA		
APPV'D			SCALE:1:20		
MFG			SHEET 1 OF 1		
Q.A					

